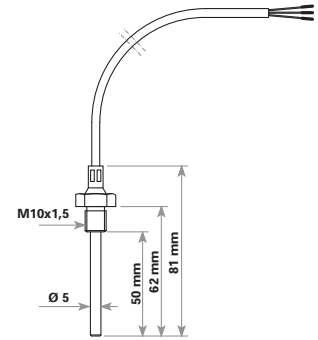


Ambient temperature sensor with cable output

- RTD 100 Ω probe, class A in compliance with NF EN 60751 standard
 - protector: copper-zinc L = 50 mm, Ø 5, M10 x 1.5 connector
 - 3-conductor PVC cable output
 - cable length = 2 metres

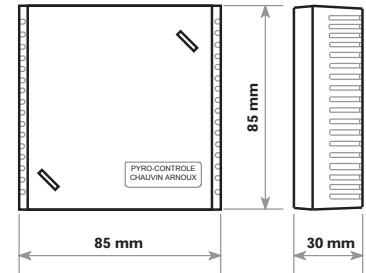
Code	L919254-001
-------------	-------------



Ambient temperature sensor in wall case

- RTD 100 Ω probe, class A in compliance with NF EN 60751 standard
 - in plastic case
 - 3-wire electrical connection
 - optional 4-20mA transmitter, -30 °C/+70 °C

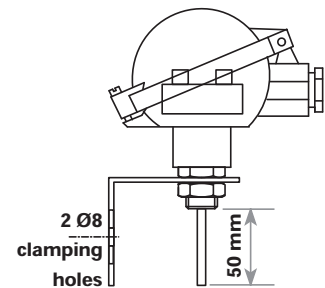
Optional transmitter	Code
No	L915461-000
Yes	L918856-001



Ambient temperature sensor: IP65 connection head

- RTD 100 Ω probe, class A in compliance with NF EN 60751 standard
 - 316L stainless steel protective sheathing L = 50 mm, Ø 4.5 mm
 - DANV head output, IP65, PE16
 - 3-wire electrical connection
 - wall mounting with stainless steel bracket
 - optional transmitter 4-20mA -30 °C/+70 °C

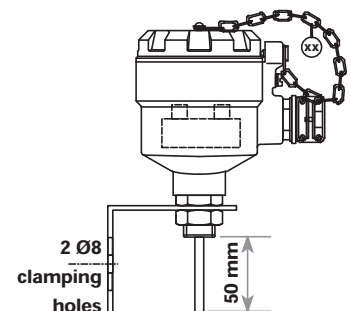
Optional transmitter	Code
No	L919253-001
Yes	L919253-002



ATEX-II-2-G&D - Explosion-proof ambient temperature sensor

- RTD 100 Ω probe, class A in compliance with NF EN 60751 standard
 - 316L stainless steel protective sheathing L = 50 mm, Ø 4.5 mm
 - PSXV head output, ADF cable gland
 - 3-wire electrical connection
 - wall mounting with stainless steel bracket
 - optional transmitter 4-20mA -30 °C/+70 °C

Optional transmitter	Code
No	L919186-001
Yes	L919186-002



ATEX-II-1-G&D - Intrinsic safety ambient temperature sensor

- RTD 100 Ω probe, class A in compliance with NF EN 60751 standard
 - 316L stainless steel protective sheathing L = 50 mm, Ø 4.5 mm
 - DANVi head output, ADF cable gland
 - 3-wire electrical connection
 - wall mounting with stainless steel bracket
 - Optional transmitter 4-20mA -30 °C/+70 °C

Optional transmitter	Code
No	L919252-001
Yes	L919252-002

